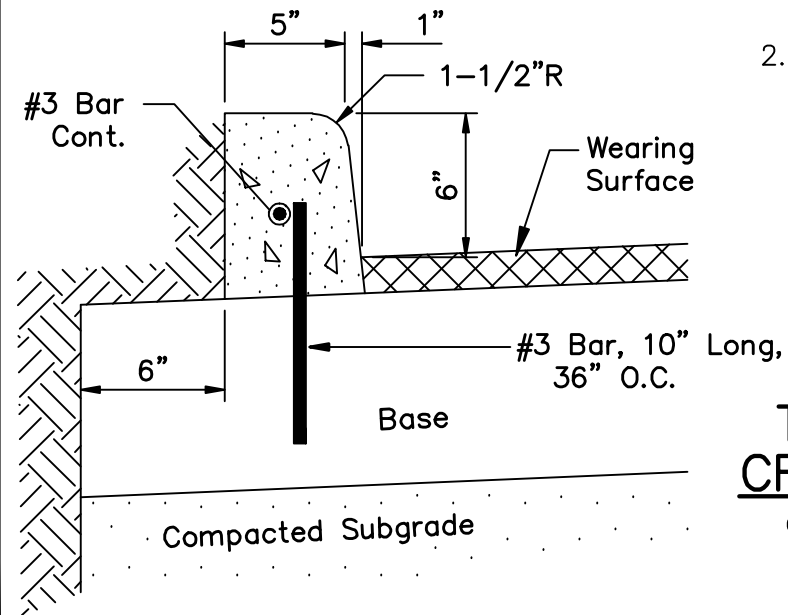
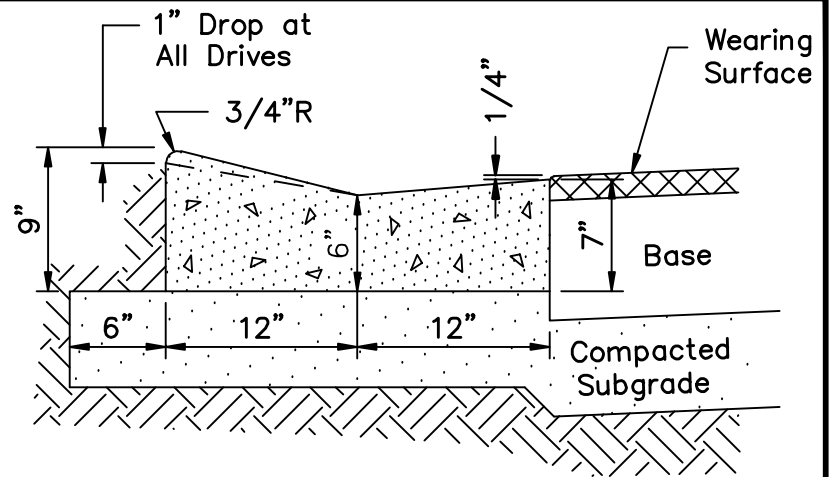


MODIFIED CURB



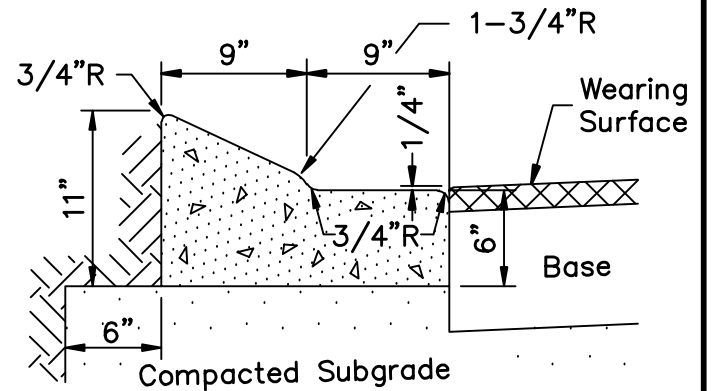
PIN / DOWELLED CURB



VALLEY GUTTER CURB

NOTES:

1. There shall be a 1/2" seal joint between back of curb and driveway.
2. Concrete in curbs shall be 3000 psi, with fiber mesh reinforcing.



MEDIAN CURB

TYPICAL CURB CROSS SECTIONS

CITY INDEX NO. 101; 2 OF 2
N.T.S.

				CITY OF CLEARWATER, FLORIDA ENGINEERING DEPARTMENT	
				REDRAWN BY Novo	TYPICAL CURB
				CHECKED BY W.J.S.	CROSS-SECTIONS
				DESIGNED BY C.M.H.	
REV.	DATE	DESCRIPTION	APP.		DATE 01/09
					INDEX NO. 101
					2 OF 2