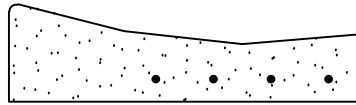


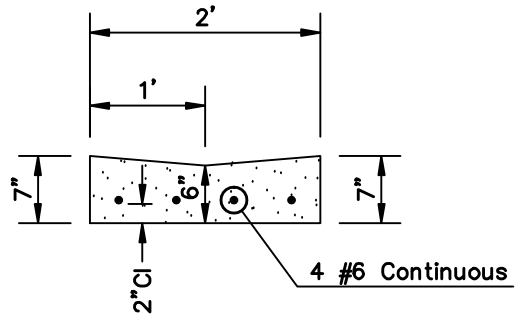


SECTION A-A

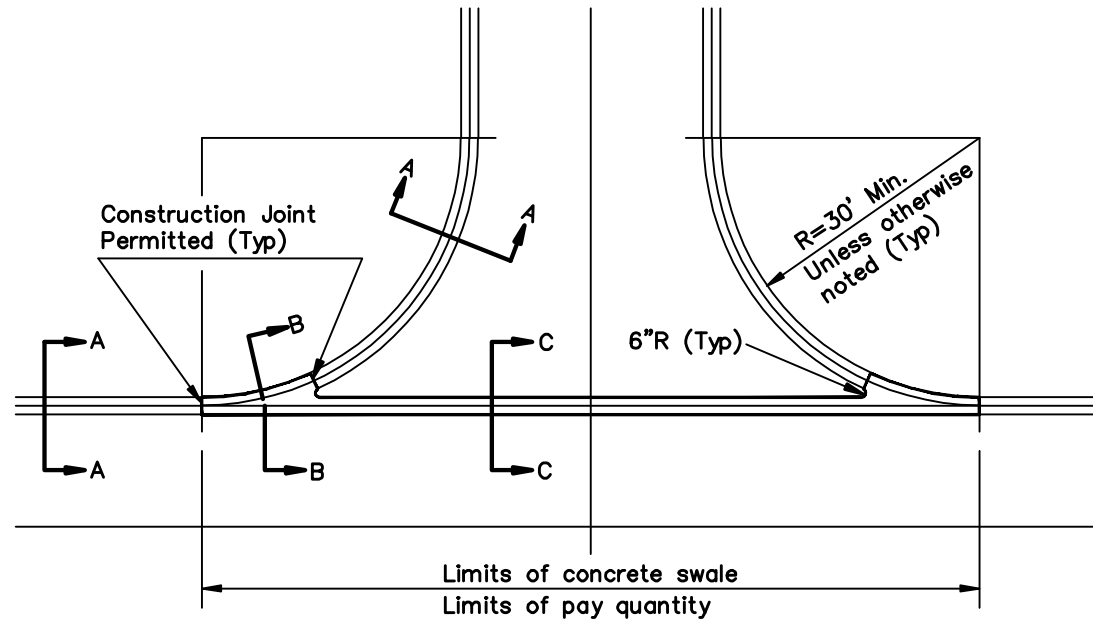
Normal Valley Gutter Curb Section
See Index 101



SECTION B-B



SECTION C-C



PLAN

NOTE:
Subject to City Engineer's approval.
To be used only in unique situations.

**CONCRETE SWALE
DETAIL
VALLEY GUTTER CURB**

CITY INDEX NO. 107; 1 OF 1
N.T.S.

				CITY OF CLEARWATER, FLORIDA ENGINEERING DEPARTMENT		
				REDRAWN BY Novo	CONCRETE SWALE	DATE 01/09
				CHECKED BY G.L.B.	DETAIL	INDEX NO. 107
				DESIGNED BY M.G.B.	VALLEY GUTTER CURB	1 OF 1
REV.	DATE	DESCRIPTION	APP.			