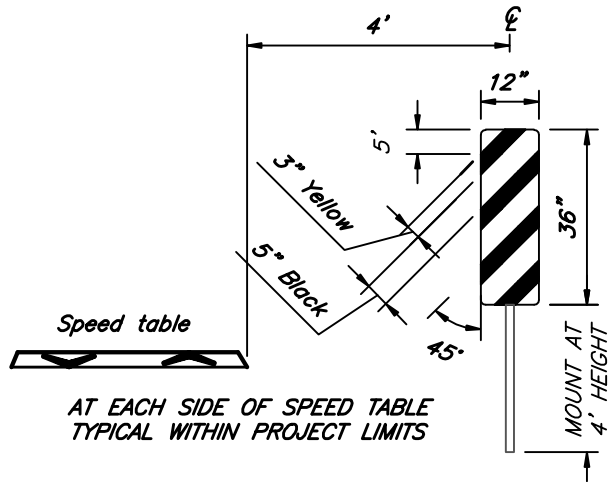


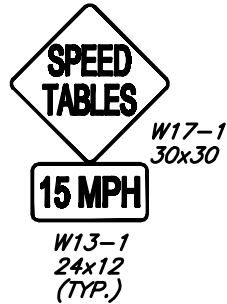
FIG. 2



REFLECTIVE DELINEATOR MARKER "OM-3R"
NOT TO SCALE

(REF. MANUAL OF UNIFORM CONTROL DEVICES 3C-2 TYPICAL TYPE 3 OBJECT MARKERS)

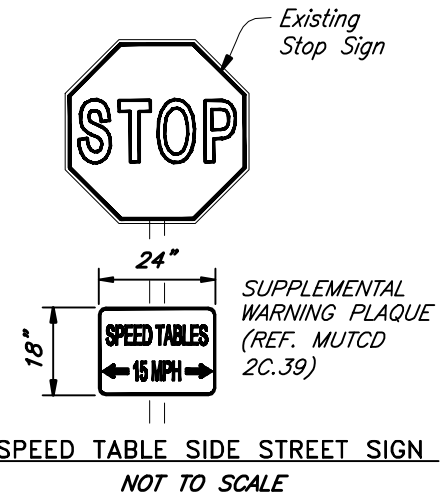
FIG. 5 (OPTIONAL)



SPEED TABLE WARNING SIGN (TYP.)
NOT TO SCALE

INSTALL 1- SIGN 100' FROM EACH COLLECTOR OR ARTERIAL ROAD WITHIN THE PROJECT LIMITS OF THE SPEED TABLES.

FIG. 3



FOR SIDE STREETS WITHIN PROJECT LIMITS OF SPEED TABLES

FIG. 4 (OPTIONAL)

SPEED TABLE SIGNS & DETAILS
FIGURE 2-5

REV.	DATE	DESCRIPTION	APP.	CITY OF CLEARWATER, FLORIDA ENGINEERING DEPARTMENT		
				REDRAWN BY E.A.	SPEED TABLE SIGNS & DETAILS FIG.2-5	DATE 01/09
				CHECKED BY M.Q.		INDEX NO. 110
				DESIGNED BY M.G.		2 OF 2